

SHELF CUTTING

All shelving will be supplied in standard lengths—1.22m/4ft, 1.83m/6ft, 2.44m/8ft or 3.66m/12ft.

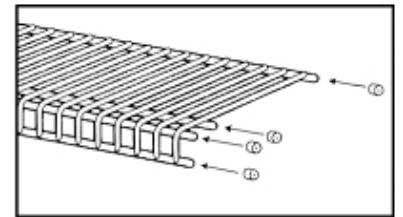
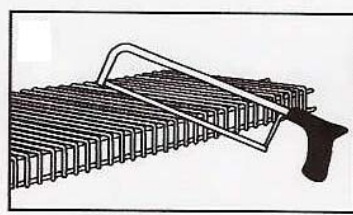
If you have purchased a custom design you may have also received lengths in the following custom sizes 0.61m/2ft, 0.91m/3ft, 1.52m/5ft, 2.13m/7ft, 2.74m/9ft, 3.05m/10ft and/or 3.35m/11ft to save wastage.

The product is manufactured in the USA so all sizes are imperial and all lengths are therefore based in units of 12 inches / 1 ft. Accordingly, you may find it easier to measure in feet and inches rather than in metric units.

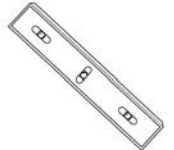
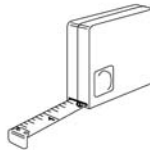
Unless you are lucky and have an enclosure of the exact size of one of the standard lengths, you will need to measure the lengths that you require and then cut them to size with a hacksaw or boltcutter. Centre your cuts between the vertical wires (deck wires) on the front lip of the shelf; the deck wires run from the front edge (lip) of the shelf to the rear edge.

Measure twice before cutting and keep the dimension to the nearest inch (round it down for wall to wall installations) In other words cut the shelf in 2.54cm/ 1inch increments.

Once you have cut the shelf to size the cut ends should be covered by attaching plastic end caps (203) - eight are required per shelf. The end caps provide a neat finish and keep the cut edges from damaging wall coverings or snagging on your clothing etc.



OTHER TOOLS REQUIRED

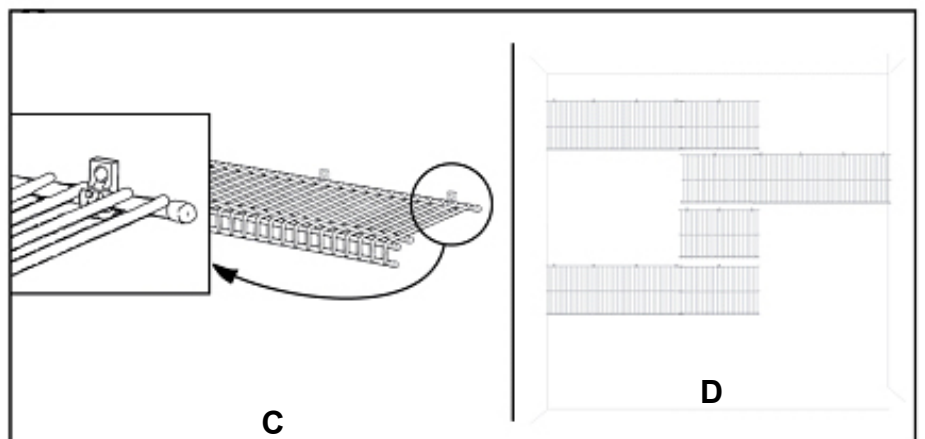
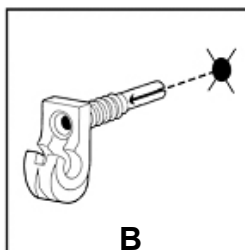
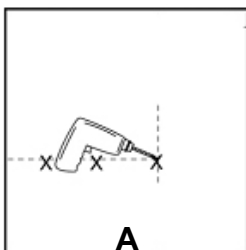


PRIMARY FIX

The primary fixing for SuperSlide 30.5cm/12 inch deep shelving is provided by a wall clip (991). The wall clip fixes the rear edge of the shelf to the wall. Wall clips should be spaced no more than 30.5cm/12 inches apart. The first clips should be installed 5.08cm/ 2 inches in from each end of the shelf. The rest should be spaced evenly in between the first two clips.

Offer the shelf up to the wall in the desired position and mark the clip positions between the deck wires with a pencil. Use a spirit level to ensure that the marks are all level and then drill holes using a 6mm drill bit (see A below). Insert the wall clips (991) into the holes and then fix with the screws provided (see B below). The total number of wall clips per shelf should be at least equal to the length of each shelf (in feet) plus one i.e. a 6 foot shelf will require seven clips.

Now clip the rear edge of your shelf into the wall clips (see C below) and let it 'hang' down (see D below). Repeat the procedure for any other shelves in your configuration.



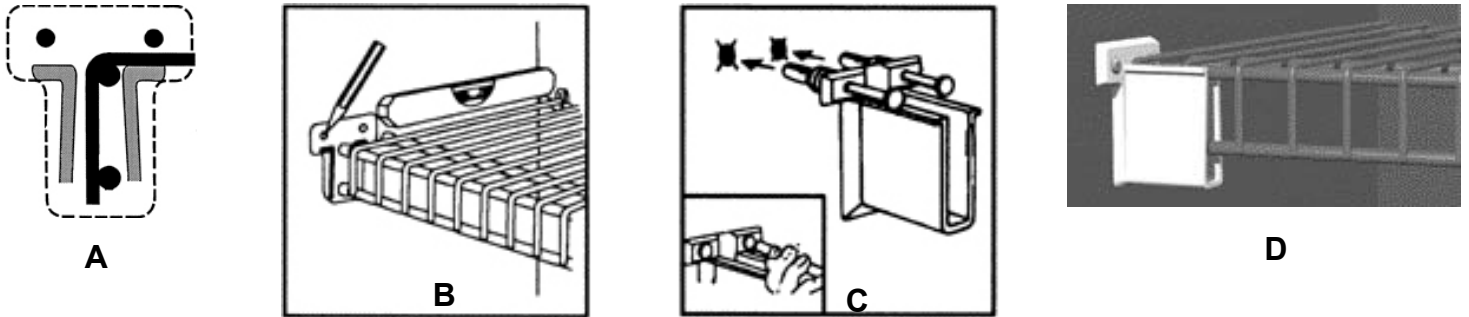
SECONDARY FIX

The secondary fixing for SuperSlide 30.5cm/12 inch deep shelving is provided by one of the following:-

- 1) a wall bracket (974) to attach shelving to a side wall where a hanger bar is **not** required
- 2) a SuperSlide wall bracket (980) to attach shelving to a side wall where a hanger bar is required
- 3) a shelf support bracket (1164) to support shelving where there is no side wall to fix to i.e. an 'open end' AND/OR to support shelves of more than 0.91m/3 feet in length.

Wall bracket—974

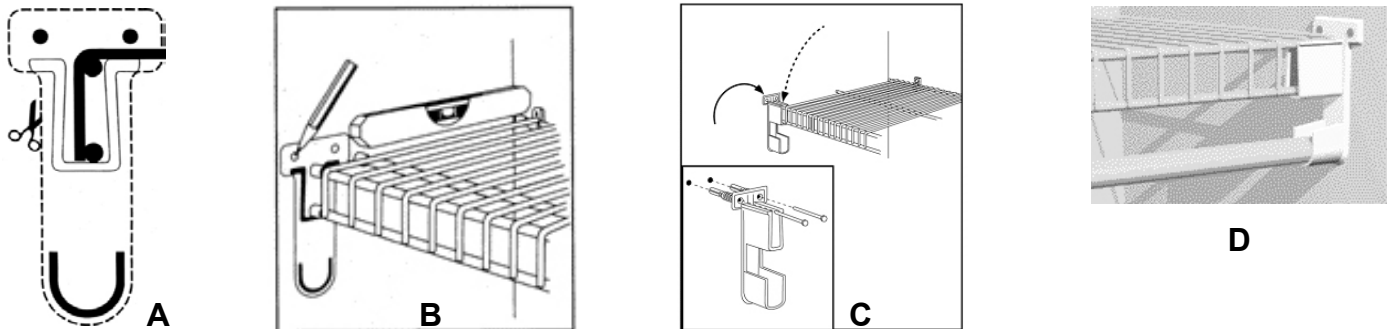
After installing your wall clips and snapping the shelf into place, lift the shelf, position the wall bracket against the side wall that you want to fix to, and lower the shelf so that the front lip drops into the wall bracket. The shelf should rest on the shaded area (see A below), but note that the lip will **not** extend to the bottom of the bracket (see D below). The shelf should now be levelled front to back and the fixing positions marked (see B below). Drill 6mm holes for the two fixing positions, lift shelf, and install the wall bracket with the rawl plugs & screws provided (see C below). Lower the shelf into position.



SuperSlide wall bracket—980

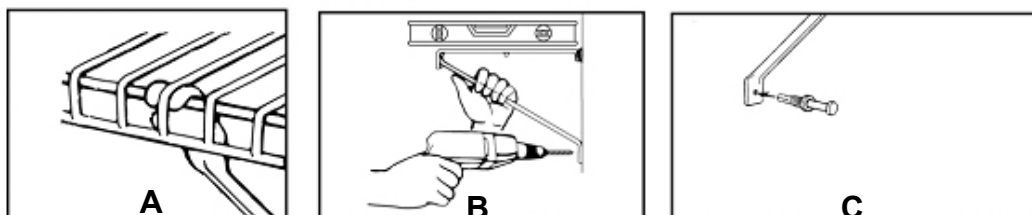
Please use the attached template when installing this type of bracket.

After installing your wall clips and snapping the shelf into place, lift the shelf, position the SuperSlide wall bracket template against the side wall that you want to fix to, and lower the shelf so that the front lip drops into position against the SuperSlide wall bracket template. The shelf should now be levelled front to back and the fixing positions marked (see B below). Drill 6mm holes for the two fixing positions, lift shelf, and install the SuperSlide wall bracket with the screws provided. Lower the shelf into position (see C below). The lower u shaped cup will house the SuperSlide hanger bar which will be installed later.



Shelf support bracket—1164

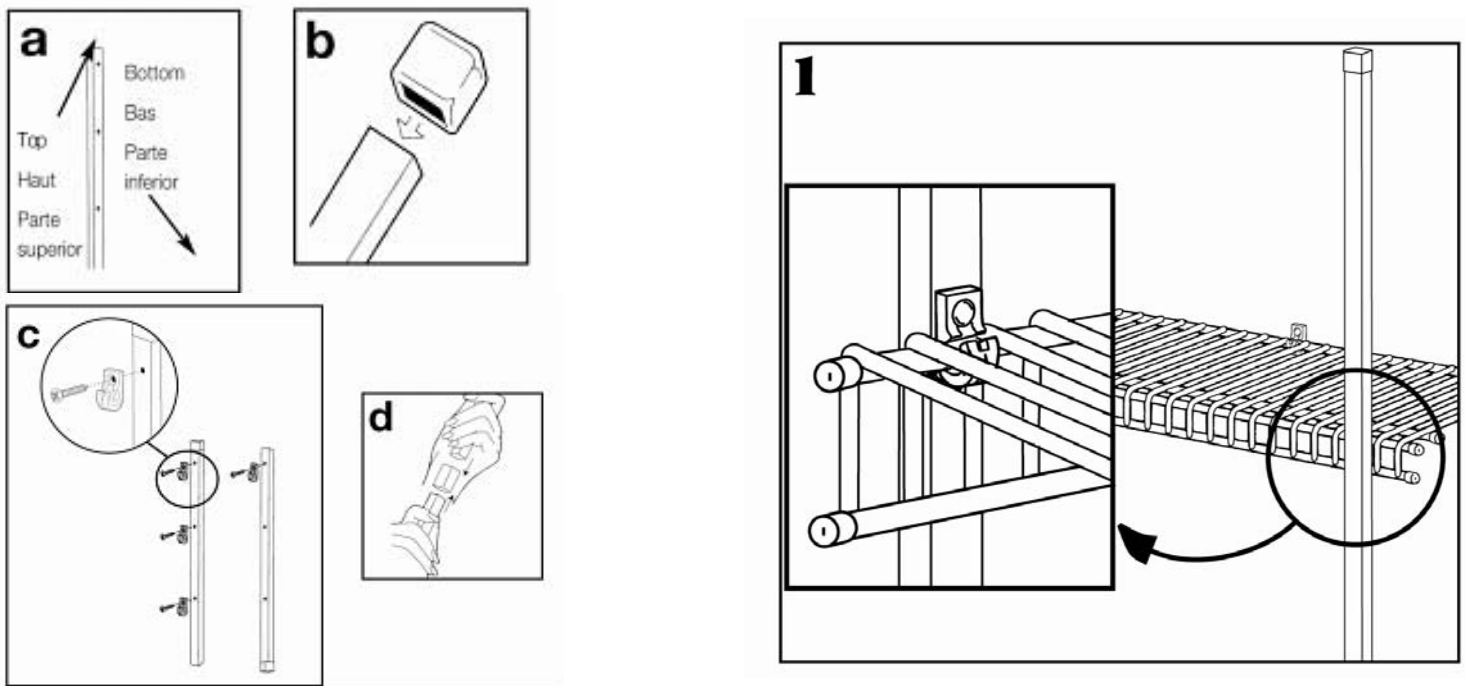
To provide adequate shelf support, support brackets are required every 0.91m/ 3 feet along the length of each shelf. Closer spacing will provide additional support and increase load capacity. Support brackets are also required for 'open-end' installations (i.e. those not ending at a side wall), and should be positioned 5.08cm/2 inches in from the 'open end' To install, position bracket on the shelf so that it hooks over the top wire rod on the front lip but has a deck wire running between the two hooks of the 'claw end' (see A below). Once the support bracket has been connected to the lip of the shelf the fixing plate on the other end of the support bracket should be placed against the wall, the shelf levelled, and the position marked and drilled (see B below). The support bracket should then be fixed using the rawlplug & screw provided (see C below).



ADDITIONAL FIXING HARDWARE

Shelf support pole—1009

Support poles are used when installing a stack of three or more shelves. Like support brackets (1164), support poles are required every 0.91m/3 feet along the length of the shelves. When assembling the support pole kit (1009) the pre drilled pilot holes should be closer to the top of each section rather than the bottom (see a below). The two sections of the support pole should be joined together using the pole connector supplied (see d below). The two plastic end caps supplied should be placed on the top and bottom of the assembled support pole to provide a neat finish (see b below). The overall length of the assembled support pole is 2.16m/ 85 inches and is designed to accommodate all standard shelf heights however, if your specific requirements call for a shorter support pole simply cut it to size using a hacksaw and refixing the end caps; remember it may be best to cut a small amount from the top and the bottom of the support pole rather than a larger amount from one end—check your shelf positions **before** cutting! Six pole clips complete with fixing screws are supplied with each support pole kit (1009). These pole clips will allow you to fix the front edge of a shelf to the support pole (see 1 below). Each pole has six pre-drilled pilot holes for fixing the pole clips to. These are just for a guide and are positioned at the standard heights for most installations however, you can fix the pole clips in any position you choose. Just drill a new pilot hole with a 2mm metal HSS drill bit and then screw the pole clip to the pole ensuring that the shelf is level before doing so.



INSTALLING SUPERSLIDE HANGER BARS

SuperSlide hanger bars (2012/2056/2057/2058/2059), support brackets (5647) and end caps (5638)

Once all of your shelving is installed offer up the hanger bars into the sections where hanger bars are required. Measure the length of hanger bar required in each section and cut the hanger bars to size using a hacksaw. Once cut to size, fit end caps (see 2 below) - either internal or external - depending on whether the hanger bar fits into a wall bracket (external cap) or is open ended (internal cap). SuperSlide hanger bar support brackets (5647) should be positioned as required and fitted to the shelf as shown in fig 1 below. These are required at least every 0.91m/ 3 feet along the length of each hanger bar. The hanger bar(s) will then snap into the wall bracket (980) and the support brackets (5647) as shown in fig 3 below.

