

SHELF CUTTING

All shelving will be supplied in standard lengths—1.22m/4ft, 1.83m/6ft, 2.44m/8ft or 3.66m/12ft.

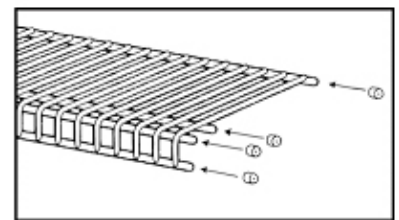
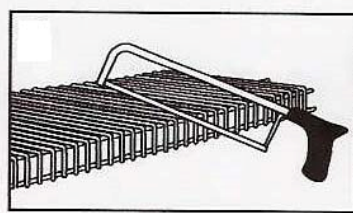
If you have purchased a custom design you may have also received lengths in the following custom sizes 0.61m/2ft, 0.91m/3ft, 1.52m/5ft, 2.13m/7ft, 2.74m/9ft, 3.05m/10ft and/or 3.35m/11ft to save wastage.

The product is manufactured in the USA so all sizes are imperial and all lengths are therefore based in units of 12 inches / 1 ft. Accordingly, you may find it easier to measure in feet and inches rather than in metric units.

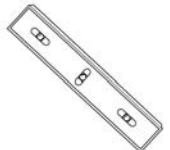
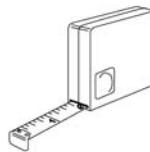
Unless you are lucky and have an enclosure of the exact size of one of the standard lengths, you will need to measure the lengths that you require and then cut them to size with a hacksaw or boltcutter. Centre your cuts between the vertical wires (deck wires) on the front lip of the shelf; the deck wires run from the front edge (lip) of the shelf to the rear edge.

Measure twice before cutting and keep the dimension to the nearest inch (round it down for wall to wall installations) In other words cut the shelf in 2.54cm/ 1inch increments.

Once you have cut the shelf to size the cut ends should be covered by attaching plastic end caps (203) - ten are required per shelf. The end caps provide a neat finish and keep the cut edges from damaging wall coverings or snagging on your clothing etc.



OTHER TOOLS REQUIRED

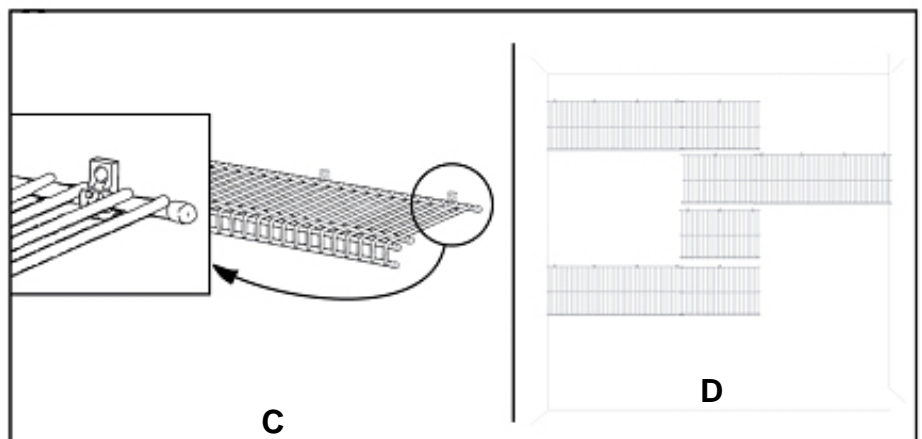
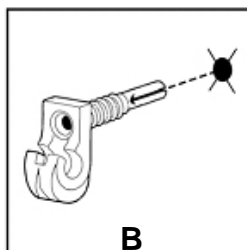
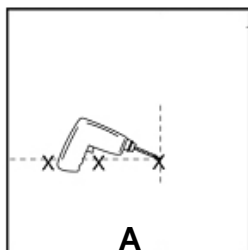


PRIMARY FIX

The primary fixing for SuperSlide 40.6cm/16 inch deep shelving is provided by a wall clip (991). The wall clip fixes the rear edge of the shelf to the wall. Wall clips should be spaced no more than 30.5cm/12 inches apart. The first clips should be installed 5.08cm/ 2 inches in from each end of the shelf. The rest should be spaced evenly in between the first two clips.

Offer the shelf up to the wall in the desired position and mark the clip positions between the deck wires with a pencil. Use a spirit level to ensure that the marks are all level and then drill holes using a 6mm drill bit (see A below). Insert the wall clips (991) into the holes and then fix with the screws provided (see B below). The total number of wall clips per shelf should be at least equal to the length of each shelf (in feet) plus one i.e. a 6 foot shelf will require seven clips.

Now clip the rear edge of your shelf into the wall clips (see C below) and let it 'hang' down (see D below). Repeat the procedure for any other shelves in your configuration.



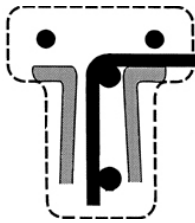
SECONDARY FIX

The secondary fixing for SuperSlide 40.6cm/16 inch deep shelving is provided by one of the following:-

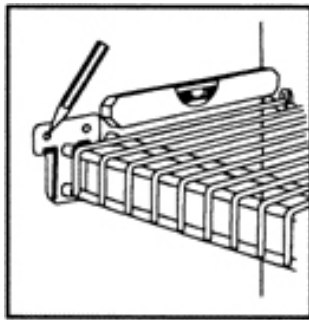
- 1) a wall bracket (974) to attach shelving to a side wall
- 2) a shelf support bracket (1164/1166) to support shelving where there is no side wall to fix to i.e. an 'open end' AND/OR to support shelves of more than 0.91m/3 feet in length.

Wall bracket—942

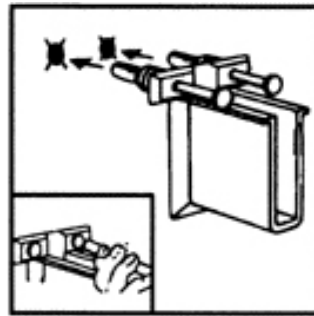
After installing your wall clips and snapping the shelf into place, lift the shelf, position the wall bracket against the side wall that you want to fix to, and lower the shelf so that the front lip drops into the wall bracket. The shelf should now be levelled front to back and the fixing positions marked (see B below). Drill 6mm holes for the two fixing positions, lift shelf, and install the wall bracket with the rawl plugs & screws provided (see C below). Lower the shelf into position (see D below).



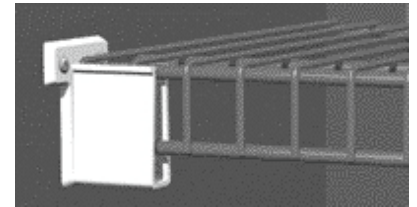
A



B



C

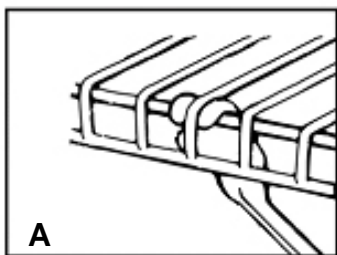


D

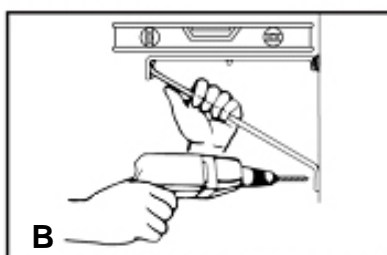
Shelf support bracket—1164/1166

To provide adequate shelf support, support brackets are required every 0.91m/ 3 feet along the length of each shelf. Closer spacing will provide additional support and increase load capacity. Support brackets are also required for 'open-end' installations (i.e. those not ending at a side wall), and should be positioned 5.08cm/2 inches in from the 'open end' To install, position bracket on the shelf so that it hooks over the top wire rod on the front lip but has a deck wire running between the two hooks of the 'claw end' (see A below). Once the support bracket has been connected to the lip of the shelf the fixing plate on the other end of the support bracket should be placed against the wall, the shelf levelled, and the position marked and drilled (see B below). The support bracket should then be fixed using the rawlplug & screw provided (see C below).

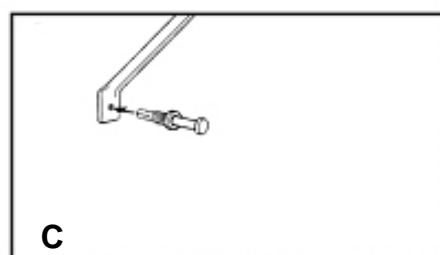
Please review the drawings supplied with your order to determine where 1164 and 1166 brackets should be used. Generally speaking the 1166 will be used at an 'open-end', whereas the 1164 will be used in all other places (see D below). The 1164 is shorter in length than the 1166 bracket and is designed to support the shelf where the hanger bar joins the shelf as this is the point where the greatest load is exerted. So, when using 1164 supports the 'claw end' of the bracket should fix to the second lateral wire from the front of the shelf (not the lip) see D below (the middle one of three that run down the middle of the shelf).



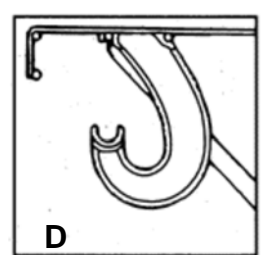
A



B



C

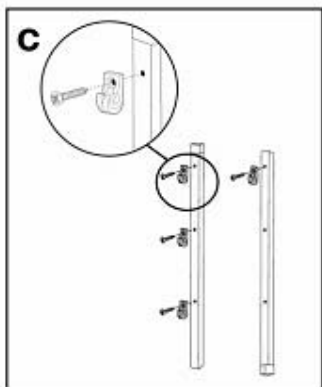
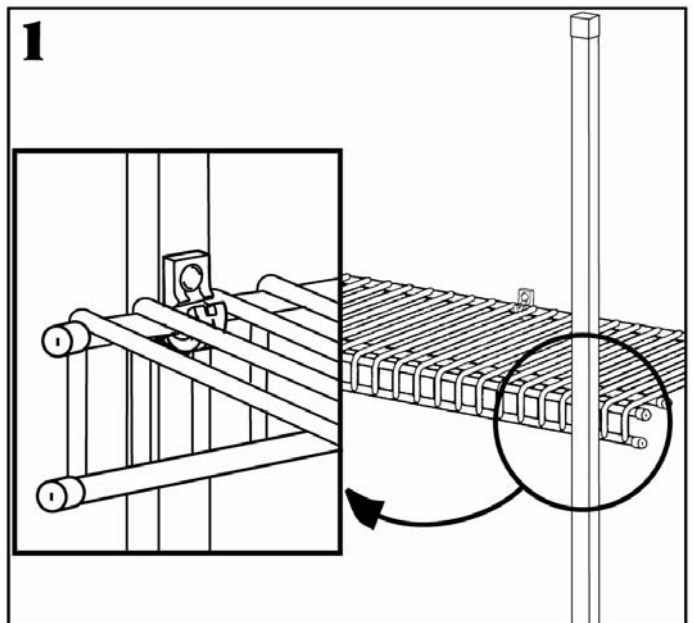
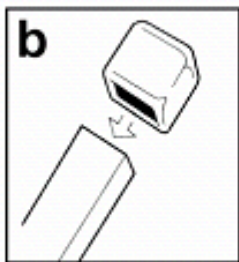


D

ADDITIONAL FIXING HARDWARE

Shelf support pole—1009

Support poles are used when installing a stack of three or more shelves. Like support brackets (1164/1166), support poles are required every 0.91m/3 feet along the length of the shelves. The two plastic end caps supplied should be placed on the top and bottom of the support pole to provide a neat finish (see b below). The overall length of the support pole is 2.16m/ 85 inches and is designed to accommodate all standard shelf heights however, if your specific requirements call for a shorter support pole simply cut it to size using a hacksaw and refix the end caps. Six pole clips complete with fixing screws are supplied with each support pole kit (1009). These pole clips will allow you to fix the front edge of a shelf to the support pole (see 1 below). You can fix the pole clips in any position you choose. Each pole has a number of pre-drilled holes positioned at standard shelf heights for your convenience but if these do not align with your shelf heights just drill a pilot hole with a 2mm metal HSS drill bit and then screw the pole clip to the pole ensuring that the shelf is level before doing so.

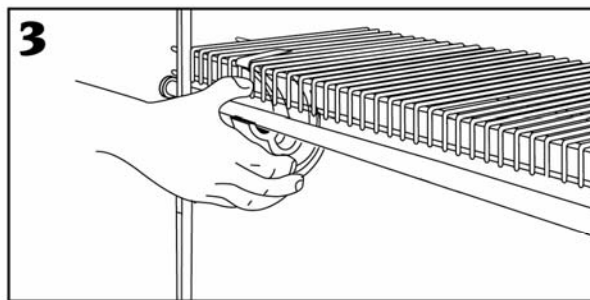
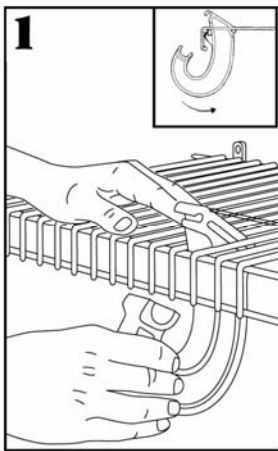


INSTALLING SUPERSLIDE HANGER BARS

SuperSlide hanger bars (2012/2056/2057/2058/2059), support brackets (5647) and end caps (5638)

Once all of your shelving is installed offer up the hanger bars into the sections where hanger bars are required. Measure the length of hanger bar required in each section and cut the hanger bars to size using a hacksaw. Once cut to size, fit end caps (see 2 below) - either internal or external - depending on whether the hanger bar fits into a wall bracket (external cap) or is open ended (internal cap). SuperSlide hanger bar support brackets (5647) should be positioned as required and fitted to the shelf as shown in fig 1 below. These are required at least every 0.91m/ 3 feet along the length of each hanger bar. The hanger bar(s) will then snap into the support brackets (5647) as shown in fig 3 below. Where the SuperSlide hanger bar meets a side wall a 6810 SuperSlide hanger bar wall bracket should be used see fig 4 below.

NB The diagrams below show a 30.5cm/12" deep SuperSlide shelf . With the 40.6cm./16" deep SuperSlide shelf you should use the inset pair of parallel wires that run the length of the middle section of the shelf for fixing the 5647 support brackets to.



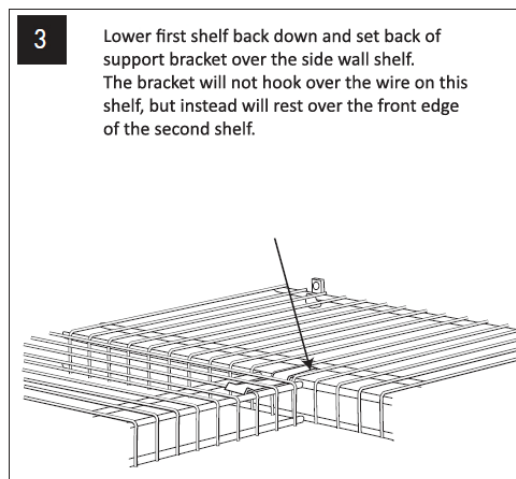
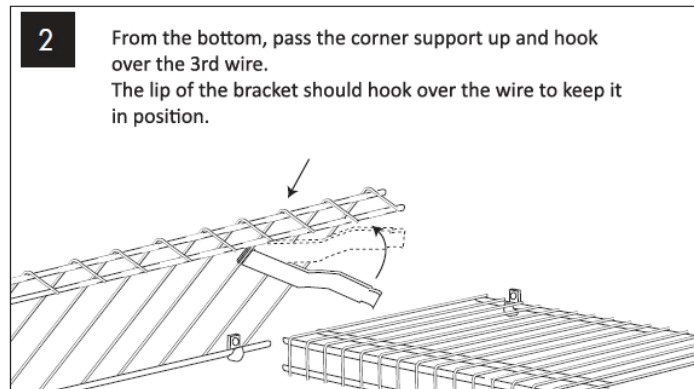
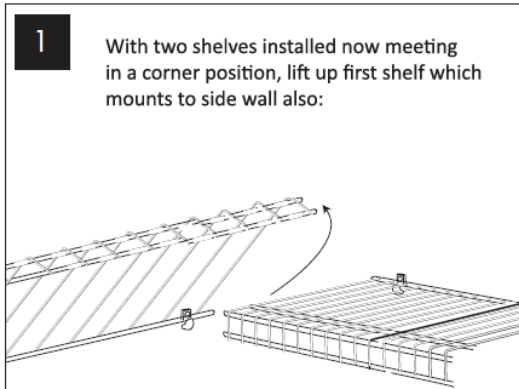
INSTALLING CORNERS

Corner Support Bracket - 120

When installing two shelves to create a corner, you will need a corner support bracket.

First install one shelf so that it is fixed to the rear wall, and an adjacent side wall.

Next install a secondary shelf and butt fit this shelf up to your already installed first shelf. Then follow the steps below to support the second shelf using a Corner Support Bracket.



Corner Hanger Bar - 5469

When installing corner hanger bars please ensure that a hanger bar support bracket (5647) is positioned at each end of the corner hanger bars where they join the straight sections – see below

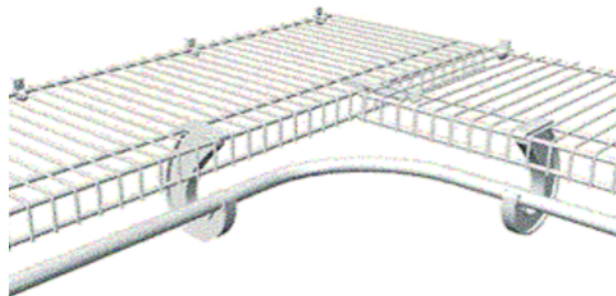


Image shows 30.5cm/12" deep shelving